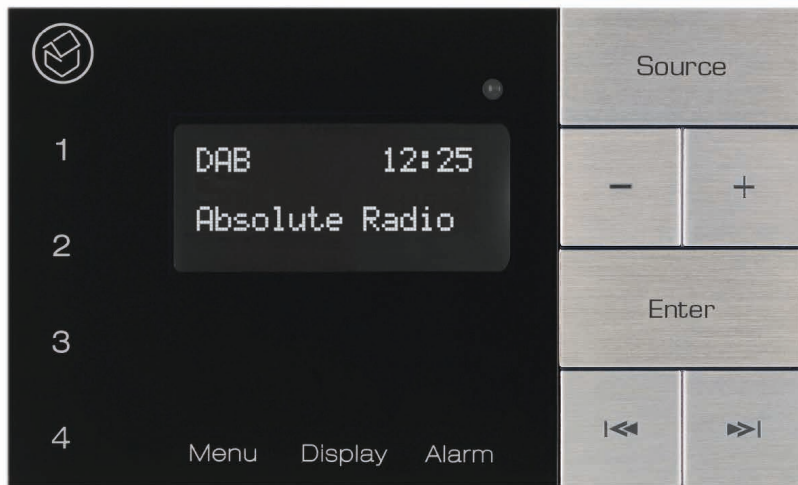
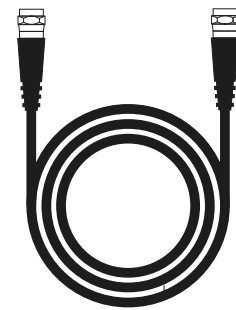


# E100 First Fix

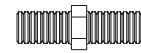
An easy fit installed music system



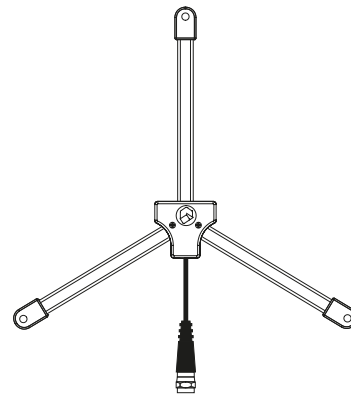
## Pack Contents



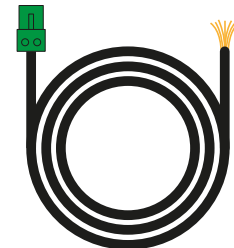
Antenna Extension Cable x 1



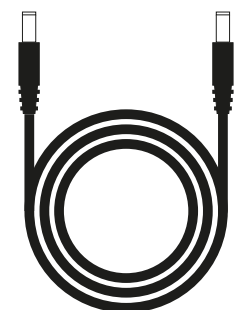
Antenna Adaptor x1



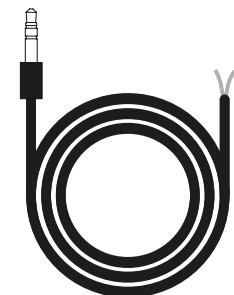
DAB/FM Antenna x 1



7m Speaker Cable x 2  
(7m terminated 1 end with IMO plug)



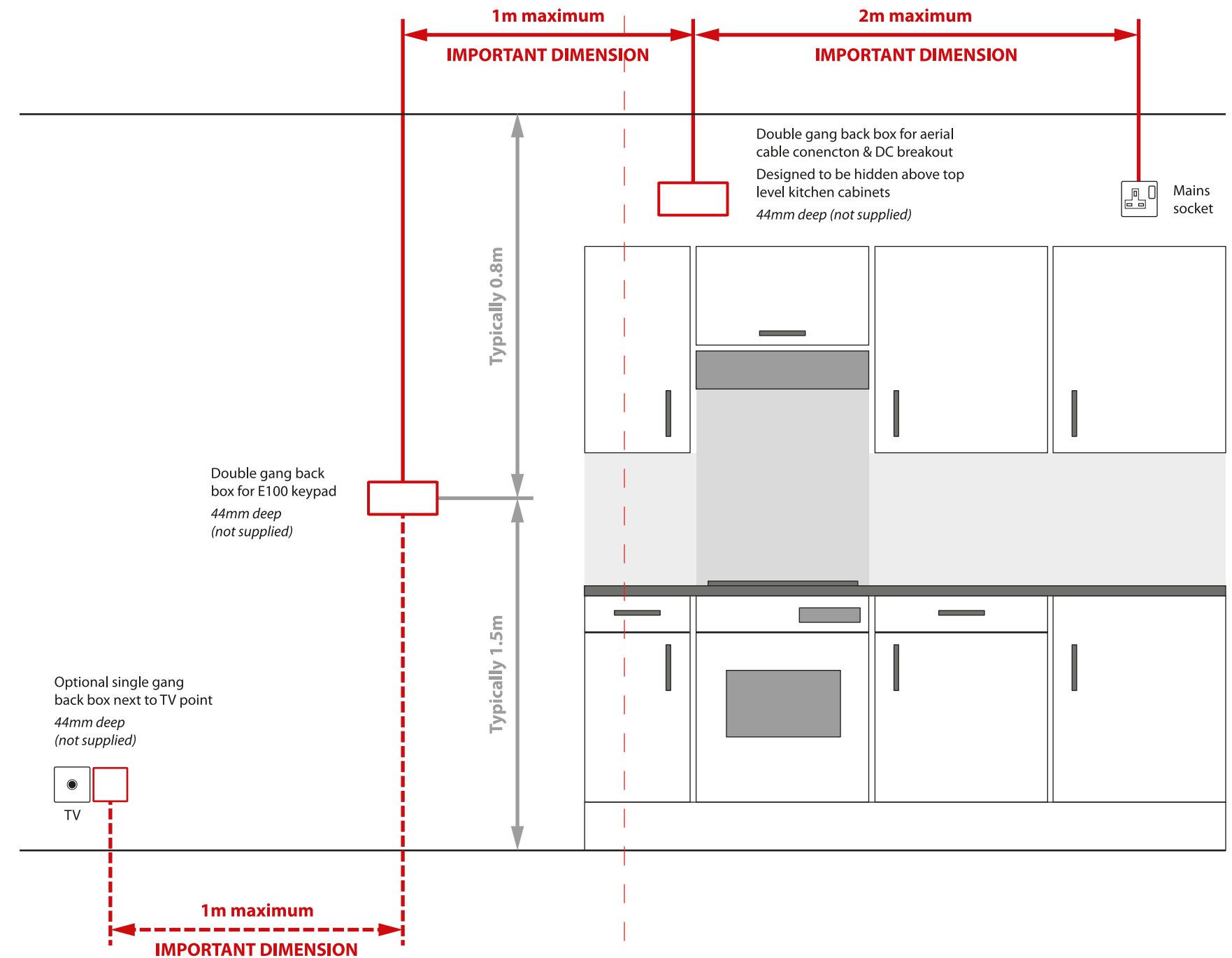
Power Supply Extension Cable x 1



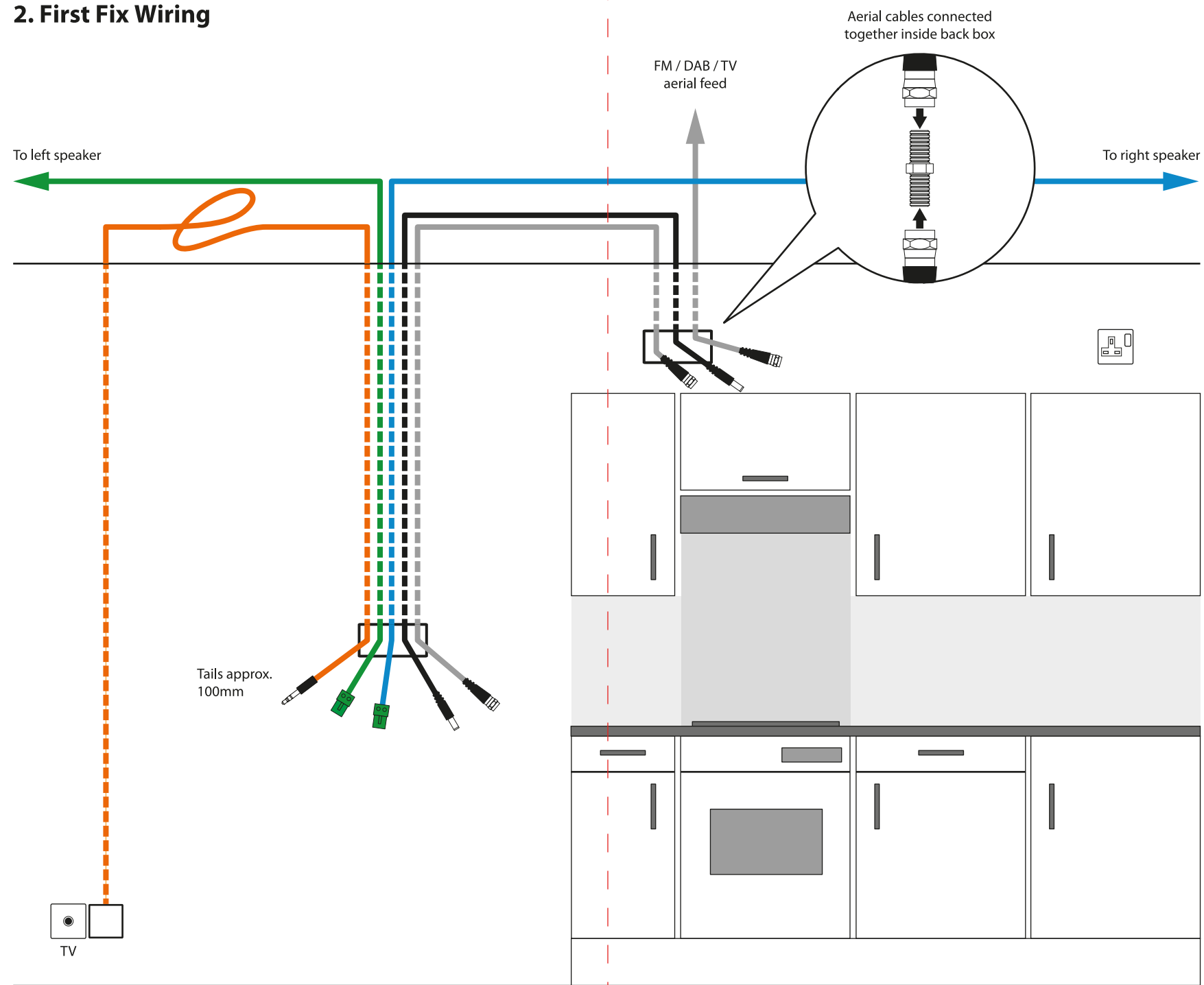
\*3.5mm Jack Cable x 1  
(optional)

\*May be supplied separately

## 1. Planning E100 Positioning and Back Box Locations



## 2. First Fix Wiring



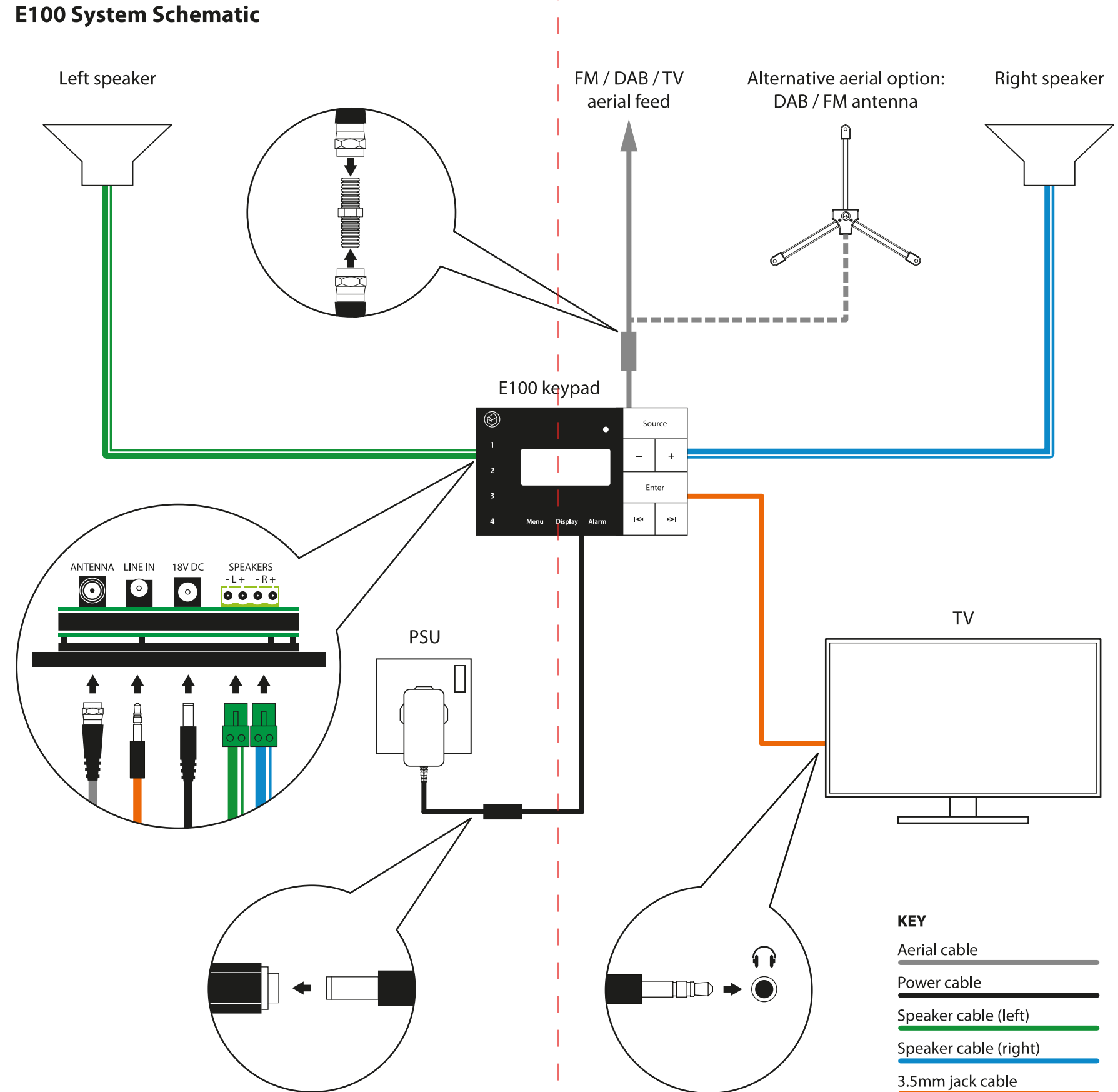
### NOTES

1. Switched mains socket required next to cable break-out box
2. FM/DAB/TV aerial cable feed positioned next to cable break-out box
3. Single gang back-box required next to TV aerial point for optional TV sound / AUX input

### KEY

- Aerial cable
- Terminated DC power cable
- Speaker cable (left)
- Speaker cable (right)
- Line-in cable (pre-terminated one end)

## E100 System Schematic



### KEY

- Aerial cable
- Power cable
- Speaker cable (left)
- Speaker cable (right)
- 3.5mm jack cable